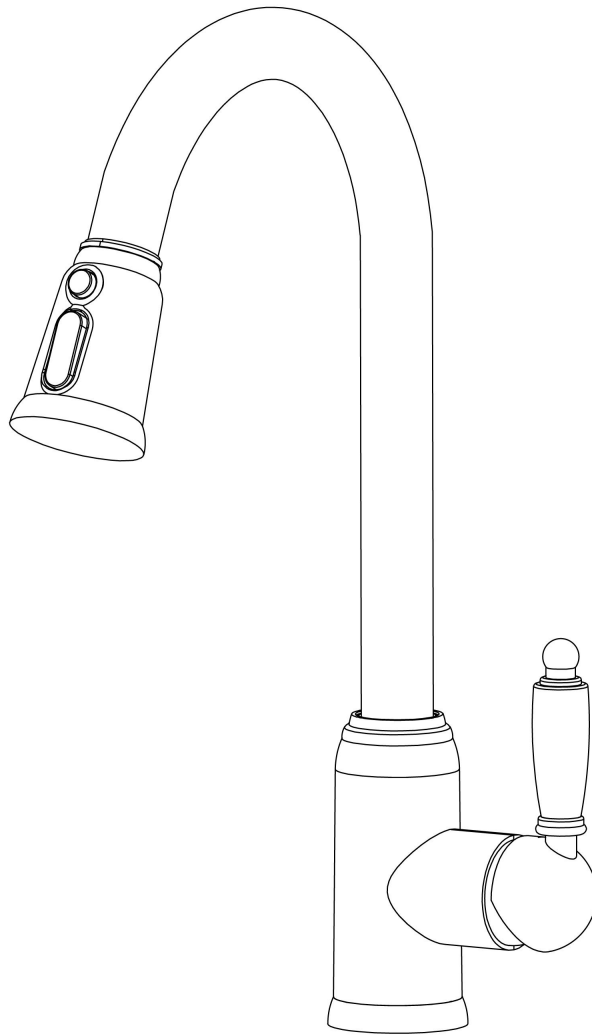


Installation Instructions

AS51BN



Single-Handle Pull-Down Kitchen Faucet

AguaStella

The Art of Water in Kitchen

Features

1. Brush Nickel PVD Finish
2. Sedal ceramic disc cartridge: Tested with 500,000 cycles
3. Metal construction
4. Pull-down sprayer with dual function (spray and stream)
5. High-arch spout swivels 360° for complete sink access
6. Neoperl aerator: Easy-clean silicone nozzles
7. Neoperl Softpex connecting hoses with SPX inliner.
Standard: Diameter: 3/8", Length: 29-1/2"
8. Neoperl CRG motion hose: 75", robust, flexible and anti-twist

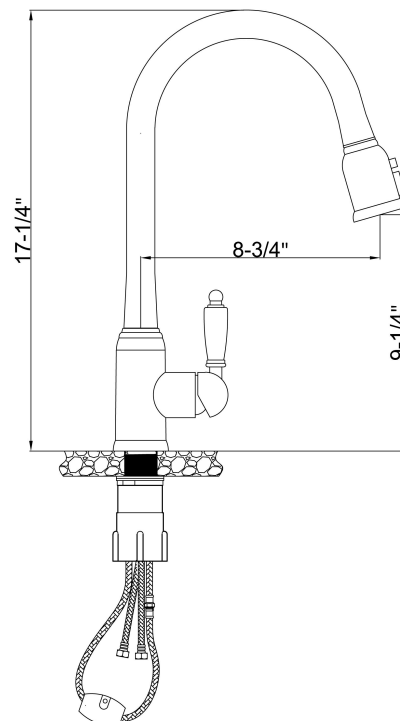


Standards

1. Third party certified to IAPMO, ASME A112.18.1/CSA B125.1 and all applicable requirements referenced therein including NSF 61/9G
2. Complies with California Proposition 65 and the Federal Safe Drinking Water Act

Dimensions

- Overall Height: 17-1/4"
- Spout Height: 9-1/4"
- Spout Reach: 8-3/4"



Tools Needed



**Groove
Point Plier**



**Adjustable
Wrench**



**Phillips-Head
Screwdriver**

Safety Tips! **WARNING!**

- AguaStella recommends that the product should be installed by a licensed professional.
- Always shut off the water supply before removing the existing faucet and/or installing a new one. Turn on the hot and cold knobs on the existing faucet to release the built-up pressure.
- Always wear safe glasses when cutting or soldering water supply lines.
- Keep the drain covered to avoid losing parts.
- AguaStella is not liable for any damage to the product, countertop or sink due to improper installation.

Installation

1. Remove the rubber washer, ABS washer and the black locknut from the threaded shank (**Figure 1**).
2. Place the faucet body into the faucet hole of the deck/sink (**Figure 2**). A standard 1-3/8" hole is required for this faucet.

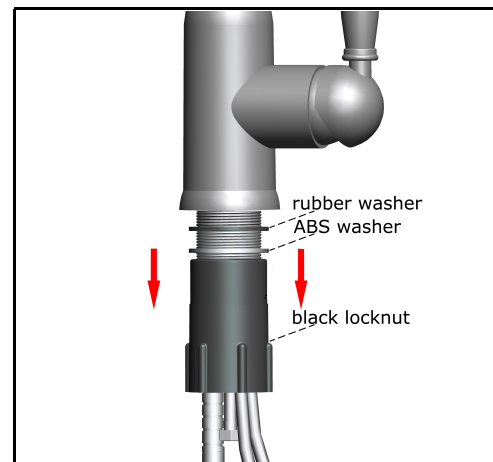


Figure 1

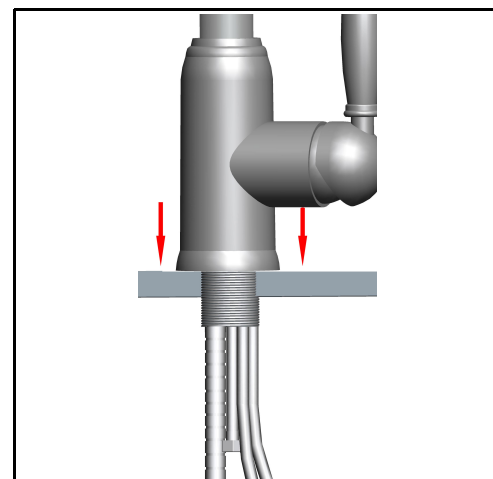


Figure 2

3. From underneath the deck/sink, slide the rubber washer followed by the ABS washer all the way up to the threaded shank (**Figure 3**).

4. Screw the black locknut all the way up to the threaded shank until it is tight (**Figure 3**).

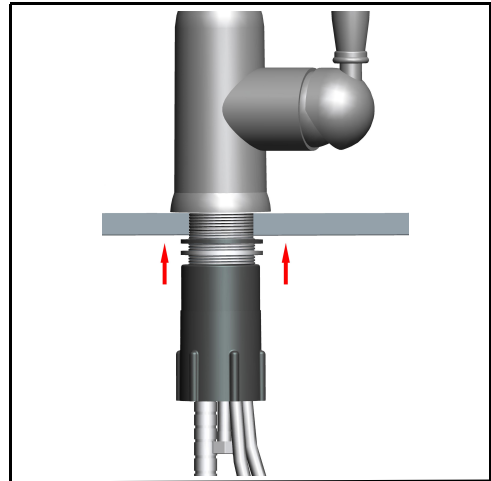


Figure 3

5. Unscrew both screws of the counterweight until it is in two pieces. Place half of the counterweight on the center section of the motion hose. Then place the remaining half against and insert the screws. Do not tighten the screws completely at this step (**Figure 4**).

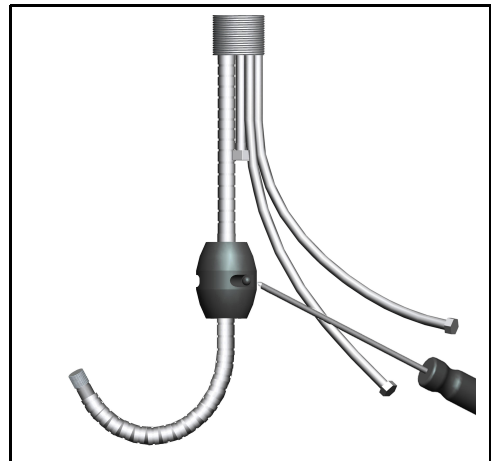


Figure 4

6. Attach the motion hose to the hose connector (the shortest hose extending from the faucet's base) by screwing with an adjustable wrench or plier.

7. Make sure the counterweight is vertical on the loosest section of the motion hose and tighten the screws of the counterweight completely with a Phillips-head screwdriver (**Figure 5**).

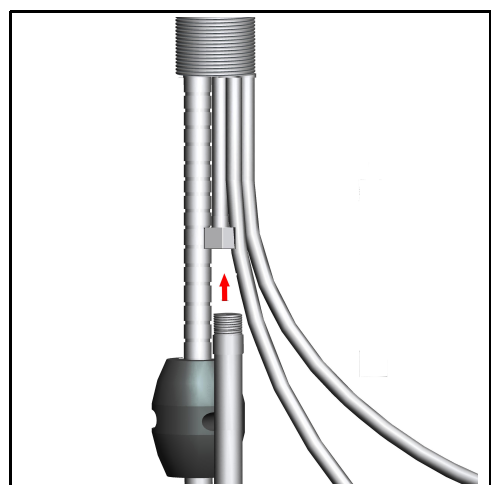


Figure 5

8. Screw the female ends of the connecting hoses to the corresponding hot and cold water supply valves by using an adjustable wrench or plier **(Figure 6)**.

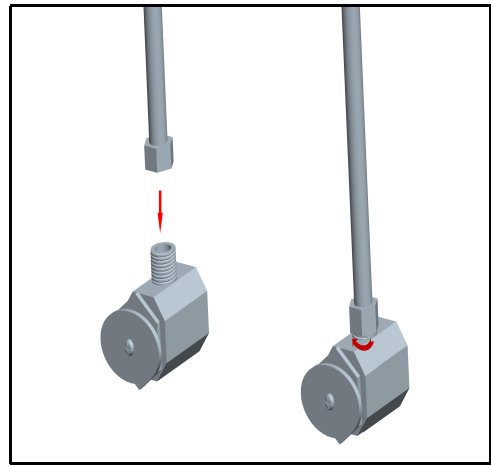


Figure 6

9. Turn on the water supply **(Figure 7)**. Test the faucet by turning the faucet on and off. Make sure the water flow is right and no leaks. If it leaks, turn the water supply off and contact AguaStella at aguastellausa@gmail.com.

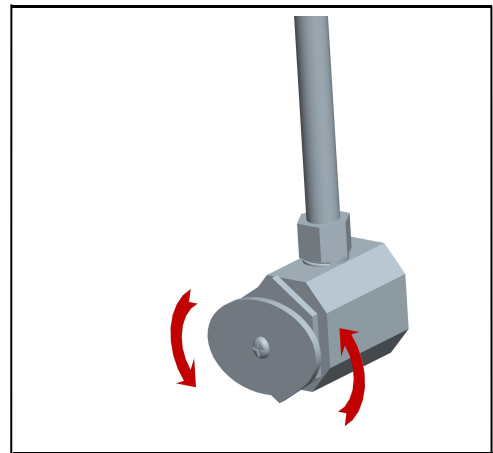
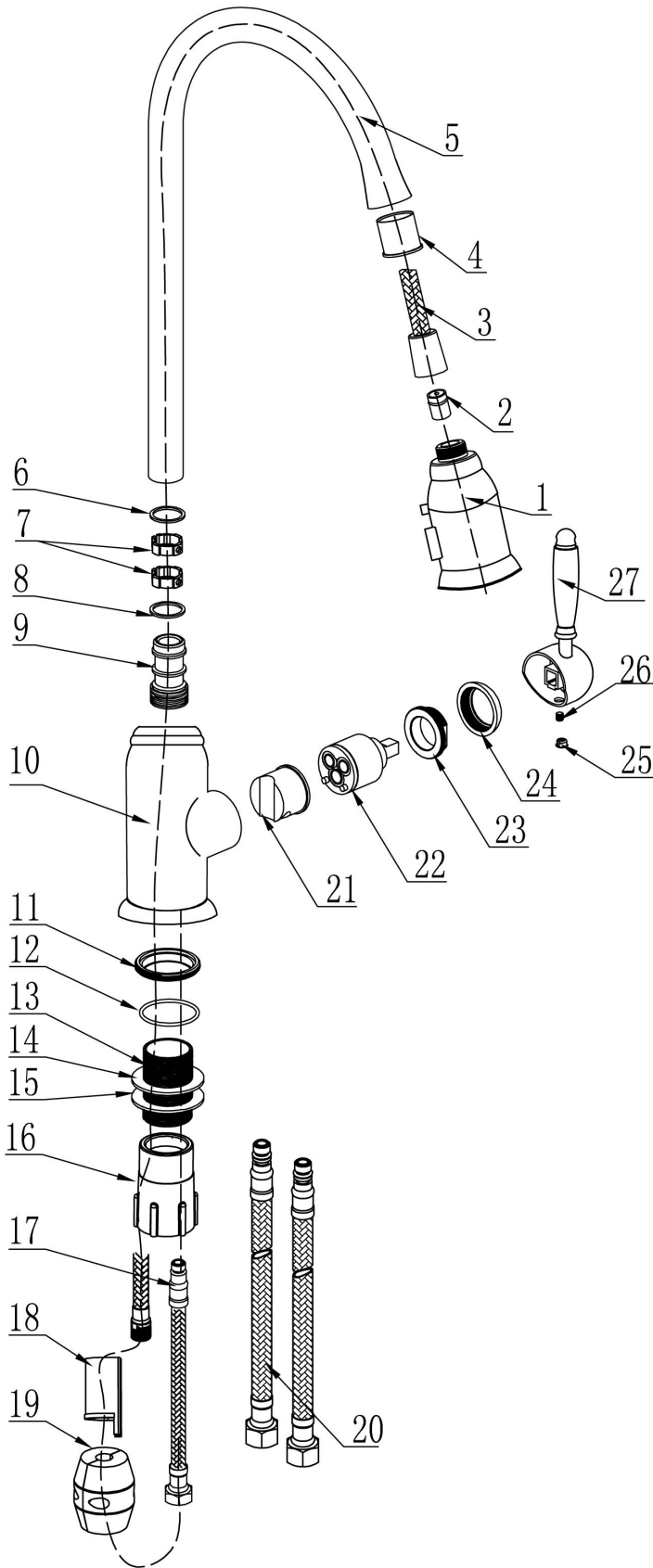


Figure 7

Trouble-Shooting Guide

Issue	Cause	Solution
Water is leaking from under the handle.	The adjusting ring may be worn out or the cartridge nut may become loose.	Replace the adjusting ring or tighten the cartridge nut.
The aerator is leaking or the water flow becomes inconsistent.	The aerator may become dirty or the seal ring may be worn out.	Clean the aerator or replace the seal ring.

Product Information



NO.	PART NAME	QTY	MATERIAL
1	sprayer	1	assembly
2	check valve	1	assembly
3	motion hose	1	assembly
4	sleeve	1	ABS
5	spout	1	stainless steel
6	wearing ring	1	POM
7	wearing ring	2	POM
8	wearing ring	1	POM
9	connector	1	brass
10	body	1	zinc alloy
11	brass ring	1	brass
12	O-Ring	1	rubber
13	shank	1	stainless steel
14	rubber washer	1	rubber
15	ABS washer	1	ABS
16	locknut	1	assembly
17	spout pipe	1	assembly
18	ABS sleeve	1	ABS
19	counterweight	1	assembly
20	connecting hose	2	assembly
21	cartridge core	1	brass
22	Ø35-cartridge	1	assembly
23	cartridge nut	1	brass
24	cartridge cover	1	brass
25	hot/cold indicator	1	ABS
26	M5 screw	1	stainless steel
27	handle	1	zinc alloy

AguaStella

The Art of Water in Kitchen

AguaStella provides professional yet optimized solution of water in kitchen.

We are dedicated to providing our customers with healthy, durable, user friendly and stylish products that they can be proud to have in their beautiful homes.

Welcome to AguaStella!





<https://www.aguastellausa.com>

E-mail: aguastellausa@gmail.com